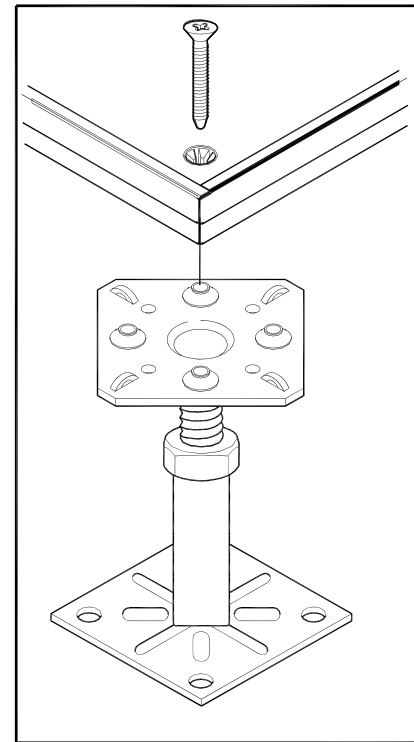
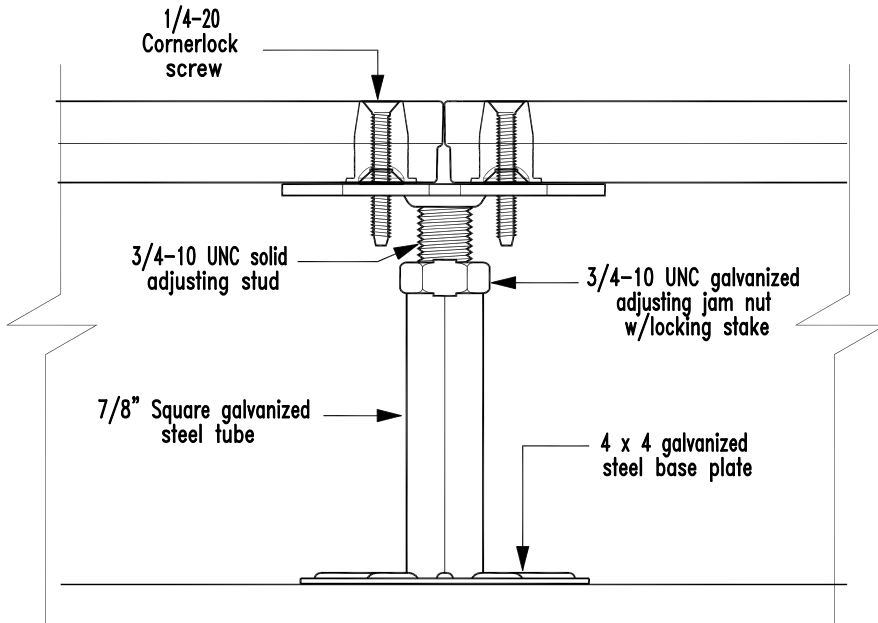


**Detail Drawing**  
TecCrete Cornerlock panels on stringerless understructure



TecCrete on pedestal

**Panel Finish Options:**  
Bare Cornerlock

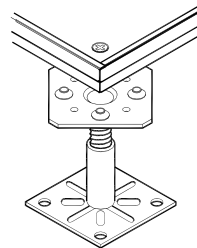
**Underfloor options:**  
Various pedestal/stringer configurations with finished floor heights from 3" to 91".

Cable cutouts and grommets.

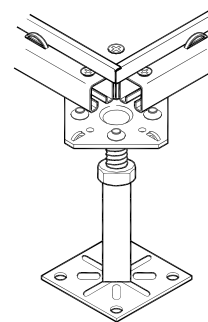
Grilles and air diffusers.

Seismic pedestals.

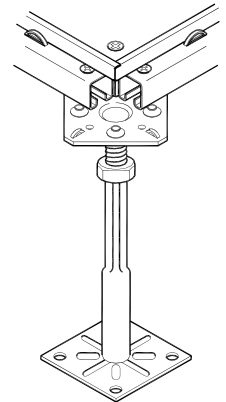
**Other Pedestal Options**



Cornerlock on Low Profile Pedestal



Cornerlock on Stringers



Cornerlock on Stringers (Seismic)