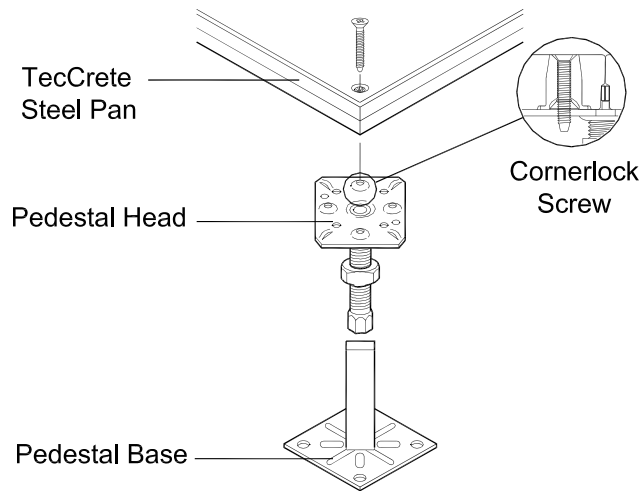
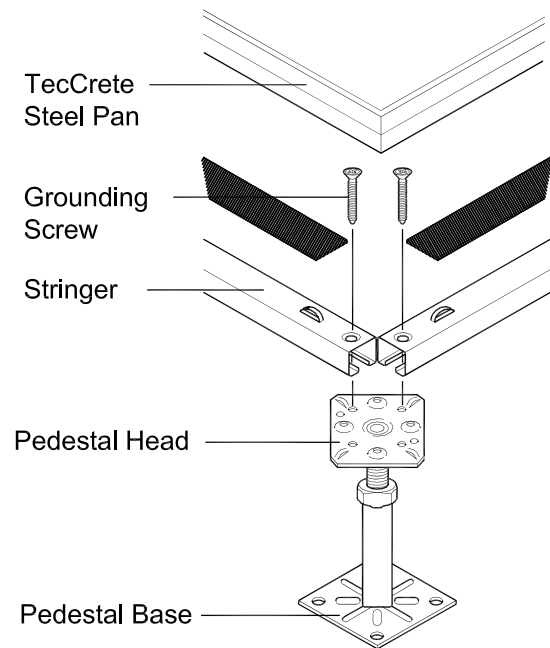


TecCrete Conductive Path to Ground with No Stringers



TecCrete Conductive Path to Ground with Stringers



**NOTE:**

Bare panel conductive path to ground: a cornerlock screw connects the steel pan to the pedestal head which is connected to the pedestal base - creating a ground path.

Covered panel conductive path to ground: conductive surface and conductive adhesive contact the TecCrete steel pan which contacts the grounding screw. The grounding screws attached to the stringer which is also connected to the pedestal head and base - creating a ground path.