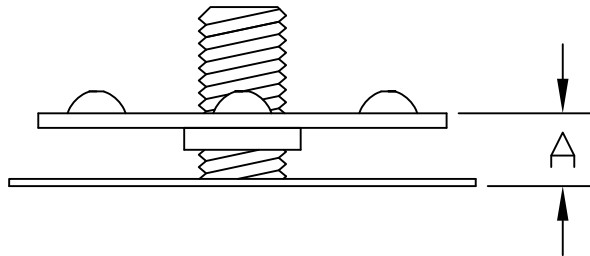
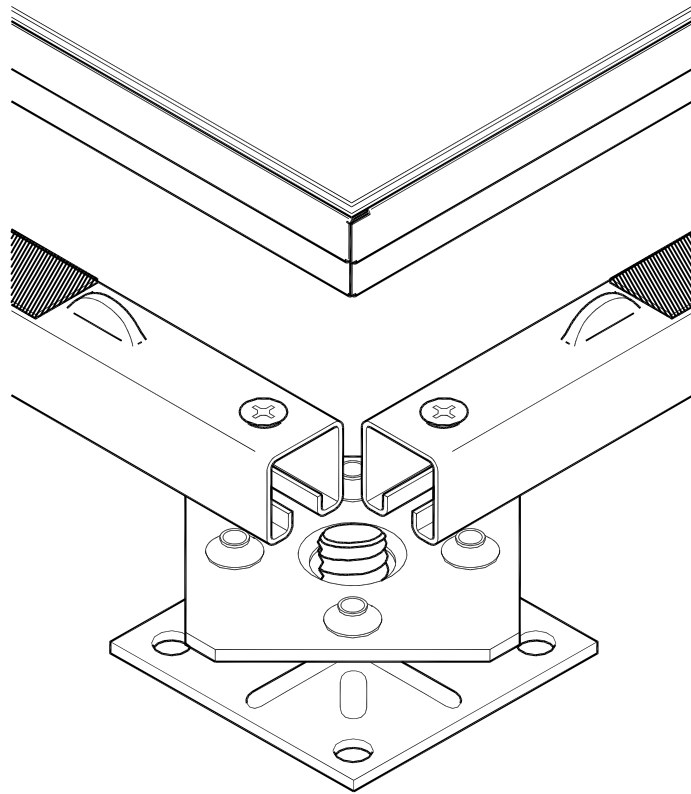


Finished Floor Height Adjustment Range:
2.75" – 3.75" With A Stringer



A = Adjustable Height Range .5" to 1.5"