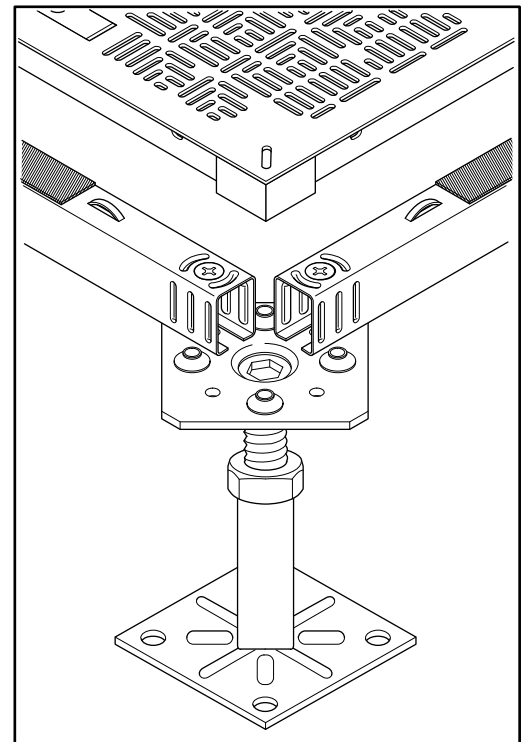
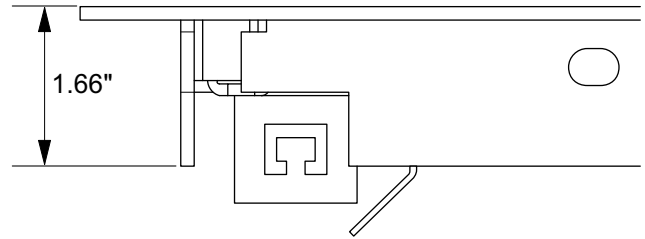
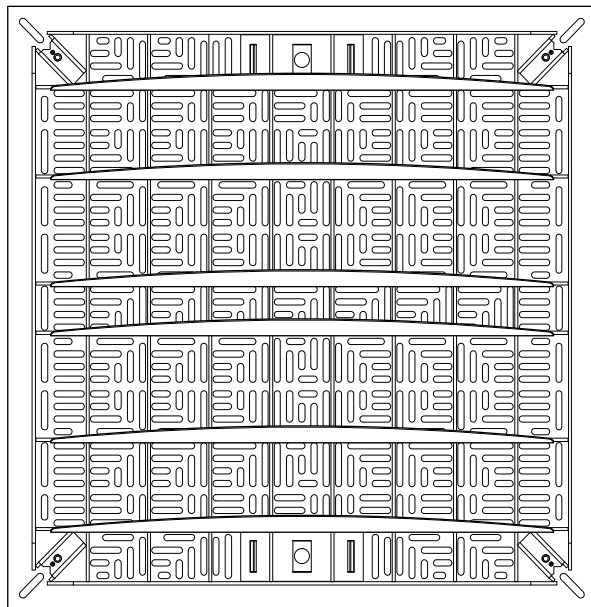


Top View

Typical Triad Airflow Panel
Stringer Supported Configuration

Bottom View

NOTE:

1. Material: Aluminum Alloy
2. Finish: Epoxy paint
3. All dimensions are nominal