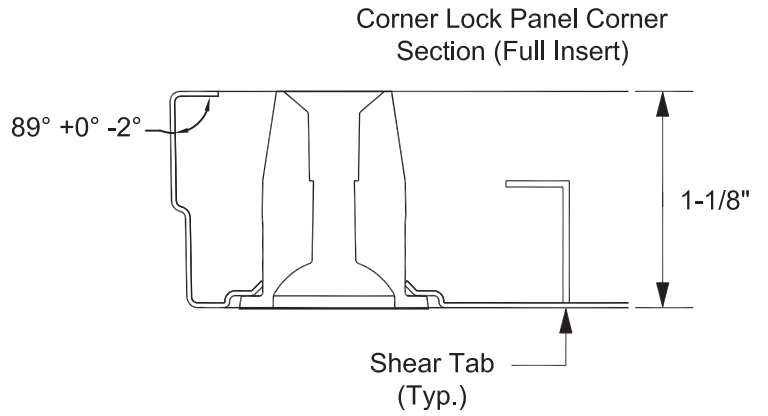
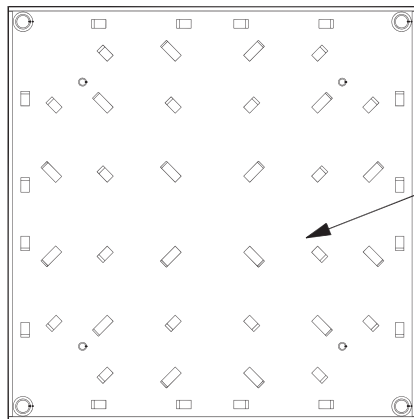


Top View

Lightweight
High-strength Concrete
(Bare Finish)

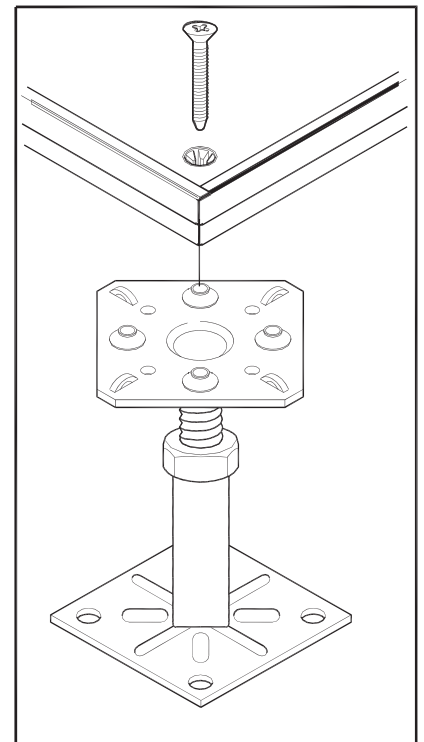


Shear Tab
(Typ.)



Bottom View

Galvanealed
Steel



Typical Bare TecCrete
Corner Lock Configuration