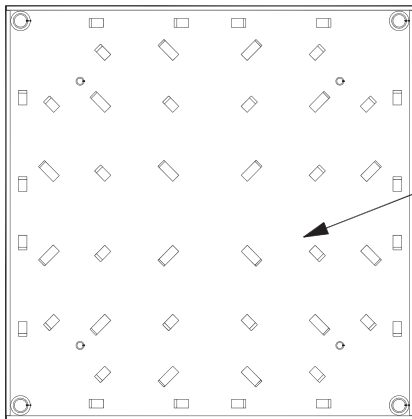


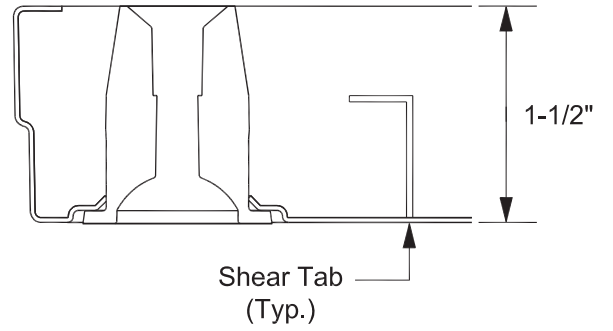
Top View

Lightweight
High-strength Concrete
(Bare Finish)



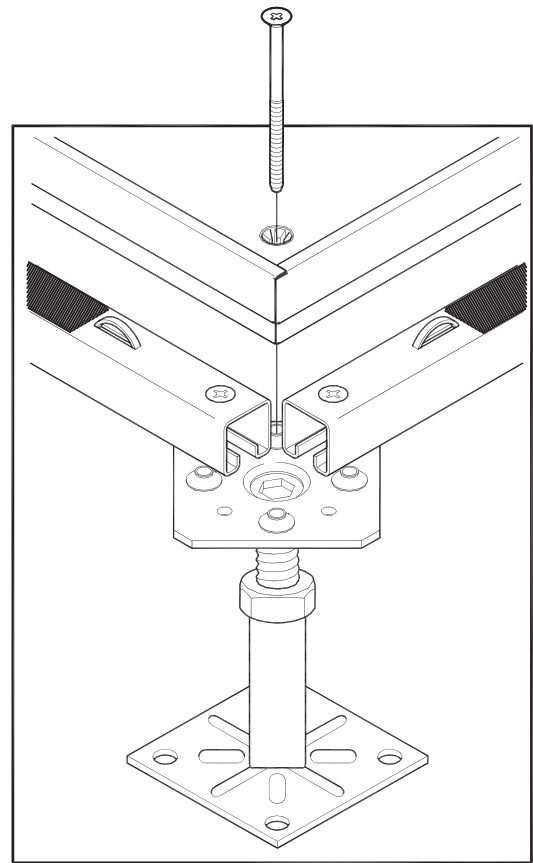
Bottom View

Galvanized
Steel



Shear Tab
(Typ.)

1-1/2"



Typical Bare TecCrete Stringer
Supported Configuration