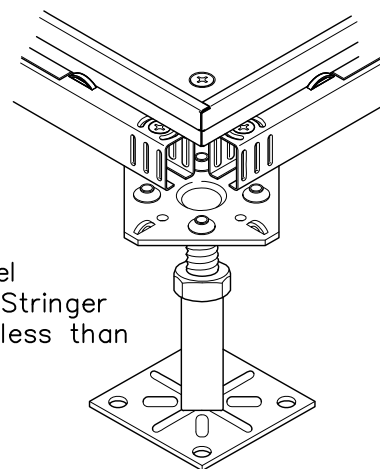
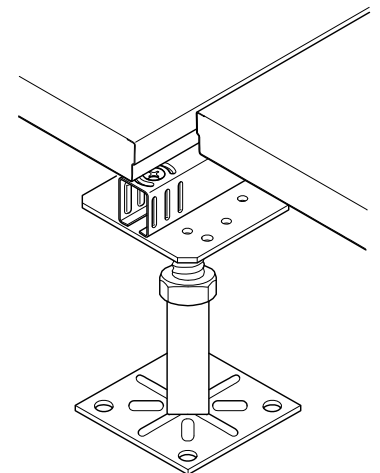


Installed Profile



Corner-Lock Application



Universal Perimeter Application

Specifications:

- o Formed from high-strength low alloy steel
- o Tested to Cisca Access Floor Section 4 Stringer Load Test, passes 500lb point load with less than a .010" permanent set
- o Finish is black e-coat