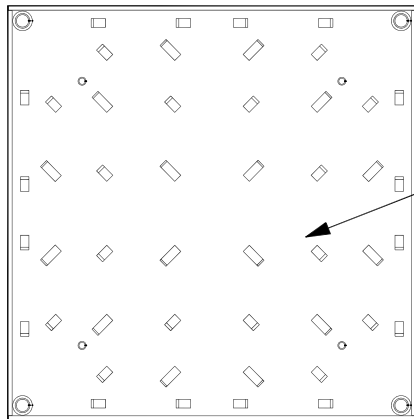


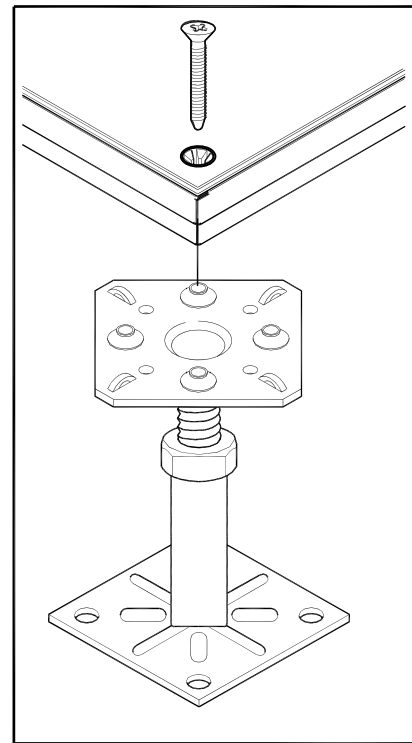
Top View

Vinyl Covered
Lightweight
High-strength
Concrete



Bottom View

Galvanealed
Steel



Typical Vinyl Covered TecCrete