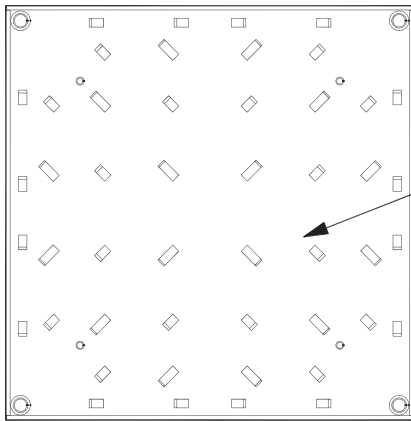
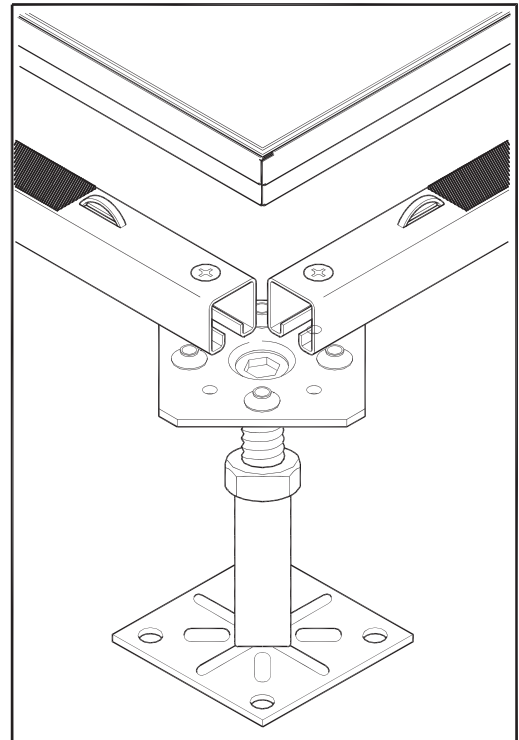


Top View



Bottom View



Typical Laminated TecCrete
Stringer Supported Configuration