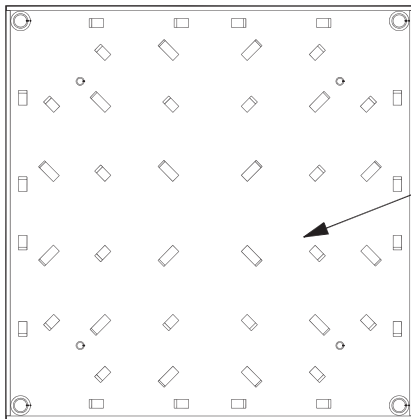


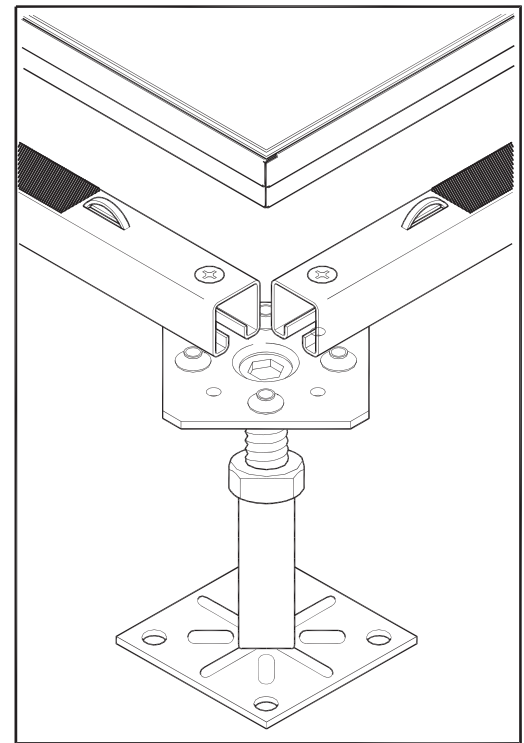
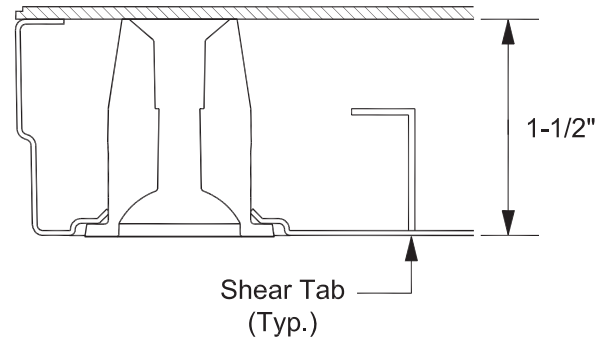
Top View

Laminate Covered
Lightweight
High-strength
Concrete



Bottom View

Galvanealed
Steel



Typical Laminated TecCrete
Stringer Supported Configuration