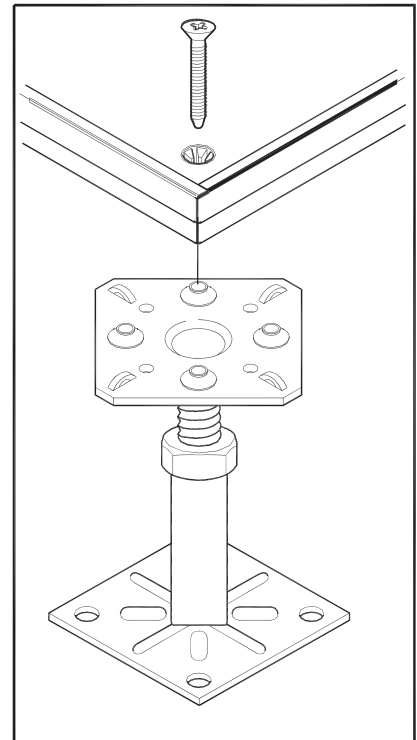
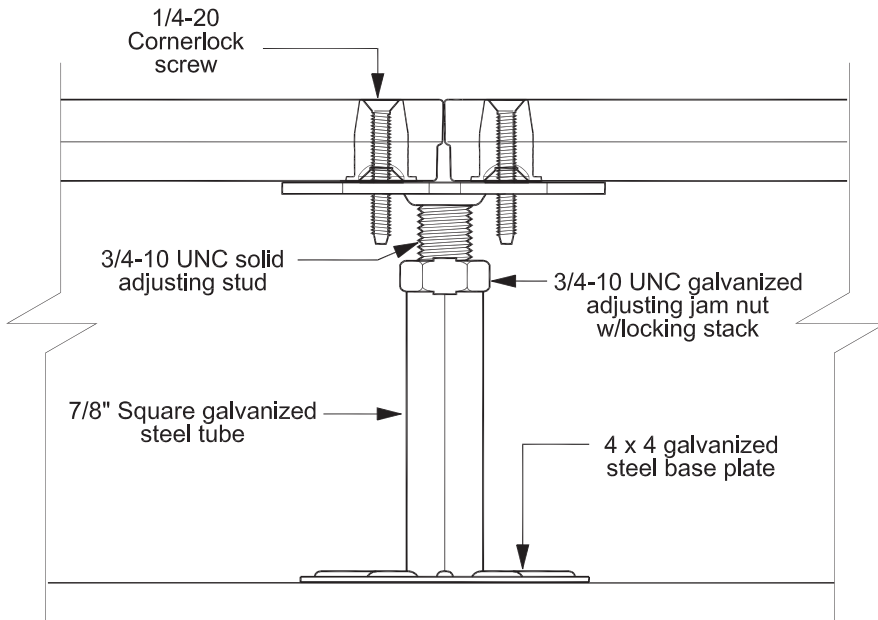


Detail Drawing
TecCrete Cornerlock panels on
stringerless understructure



TecCrete on pedestal

Panel Finish Options:
Bare Cornerlock

Laminate or Vinyl covered
Panels

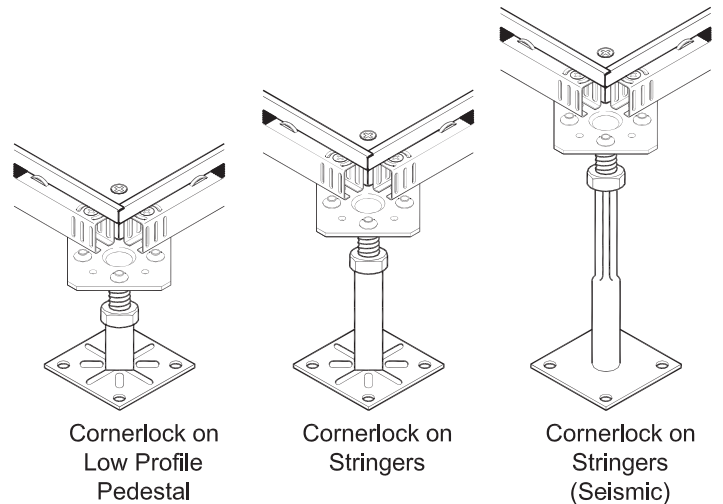
Underfloor options:
Various pedestal/stringer configurations
with finished floor heights from 3" to 91"

Cable cutouts and grommets.

Grilles and air diffusers.

Seismic pedestals.

Other Pedestal Options



Cornerlock on
Low Profile
Pedestal

Cornerlock on
Stringers

Cornerlock on
Stringers
(Seismic)