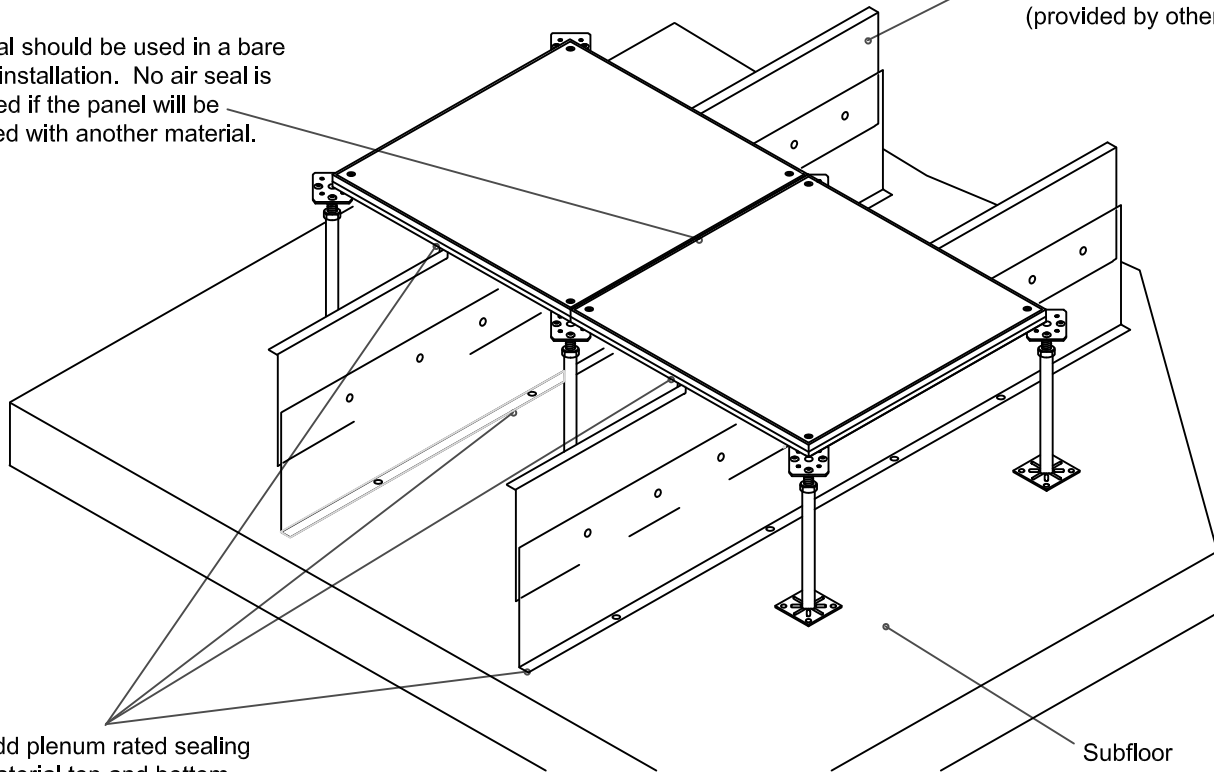


Air seal should be used in a bare panel installation. No air seal is required if the panel will be covered with another material.

Galvanized steel plenum divider (provided by others)



HVAC duct

Panel

No air seal is required when ducting is used

