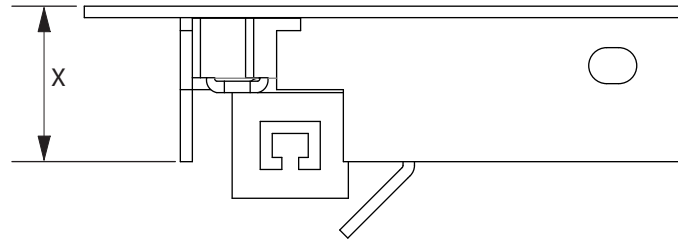
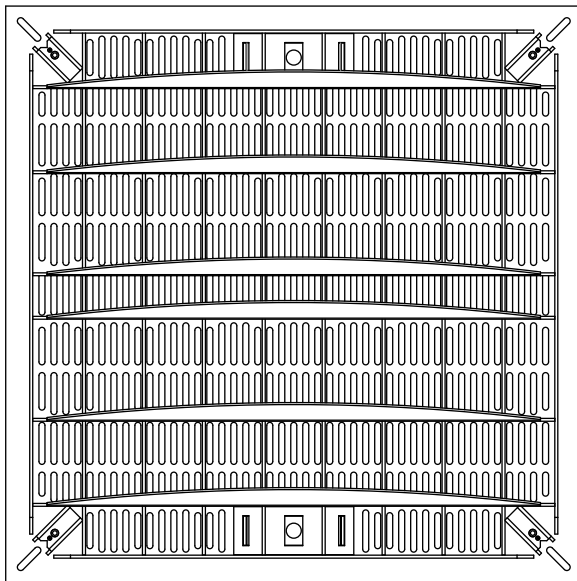


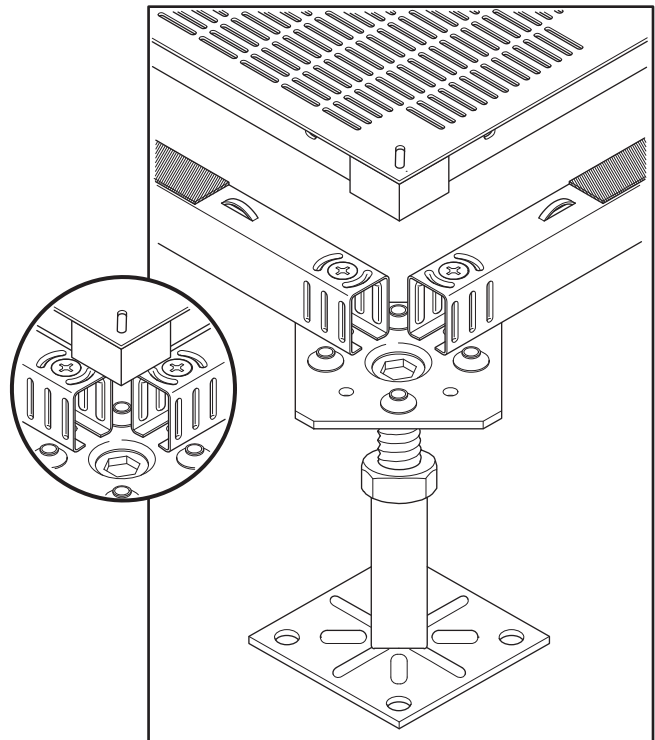
Top View



Height of Adjacent Panels	Corner Adapter X
1-1/8" Bare TecCrete	1-1/8"
1-1/8" TecCrete with 1/16" Laminate	1-3/16"
1-1/8" TecCrete with 1/8" Laminate or Vinyl	1-1/4"
1-1/2" Bare TecCrete	1-1/2"
1-1/2" TecCrete with 1/16" Laminate	1-9/16"
1-1/2" TecCrete with 1/8" Laminate or Vinyl	1-5/8"



Bottom View



Typical Triad Airflow Panel Stringer Supported Configuration

NOTE:

1. Material: Steel
2. Finish: Static Dissipative Powder Coat available in 2 standard colors
3. All dimensions are nominal
4. Corner adapters are specified in the catalog code to match the height of the adjacent panels
5. High CFM airflow