

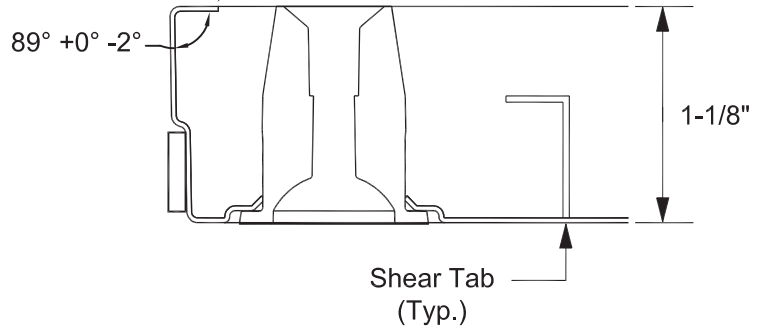
Top View

Lightweight
High-strength Concrete
(Bare Finish)

Concrete height above steel
trim 0.00" +0.01/-0.00

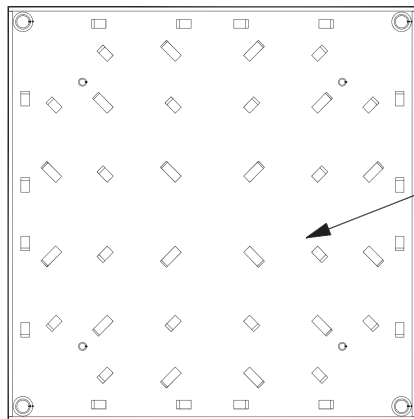
89° +0° -2°

Corner Lock Panel Corner
Section (Full Insert)



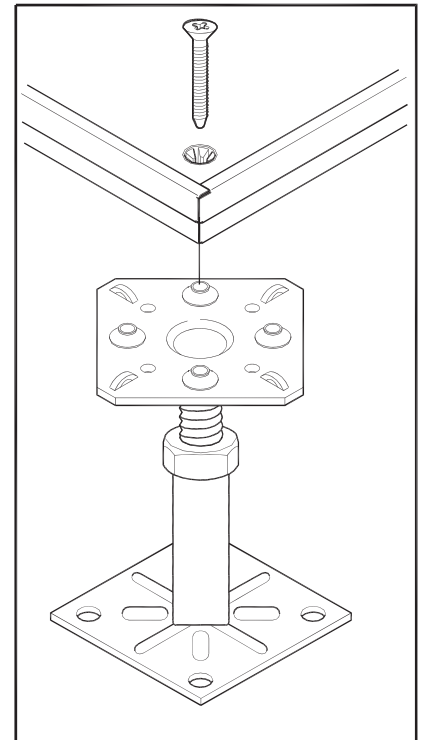
Shear Tab
(Typ.)

1-1/8"



Bottom View

Galvanealed
Steel



Typical Bare TecCrete
Corner Lock Configuration